

## ILLUSTRATED PARTS BREAKDOWN

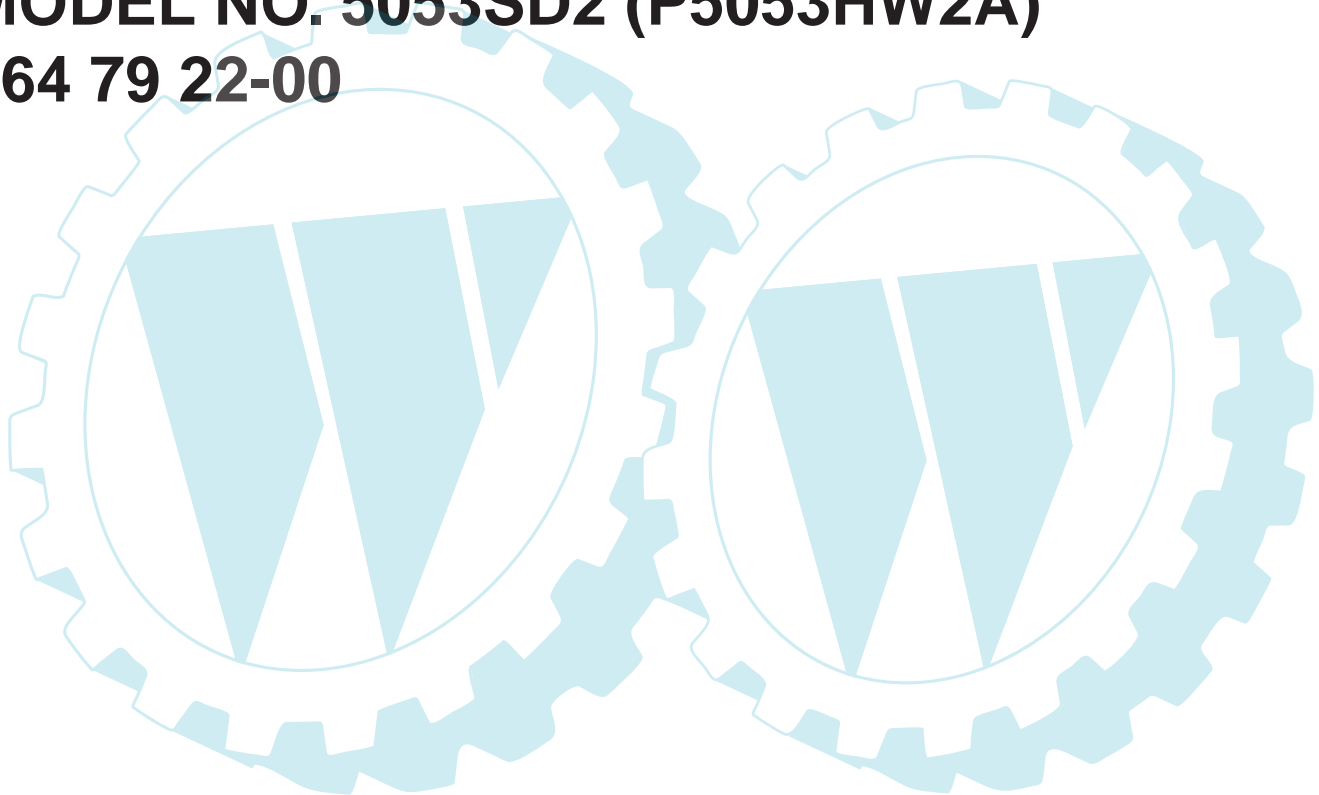
**PARTNER**

**5.0 HORSEPOWER**

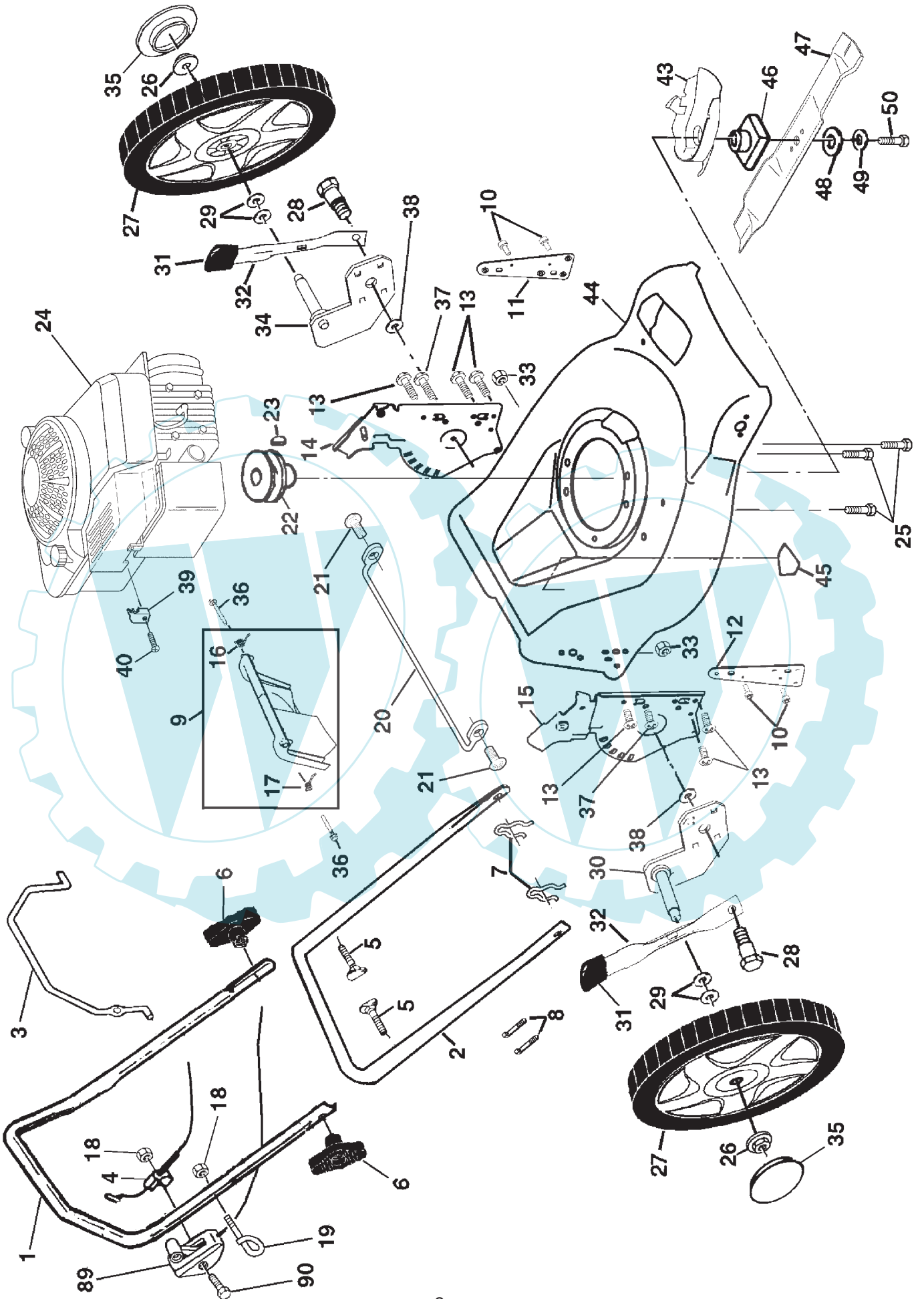
**21" REAR-DISCHARGE LAWN MOWER**

**MODEL NO. 5053SD2 (P5053HW2A)**

**964 79 22-00**



ROTARY LAWN MOWER -- MODEL NUMBER 5053SD2 (P5053HW2A) PRODUCT NUMBER 964 79 22-00



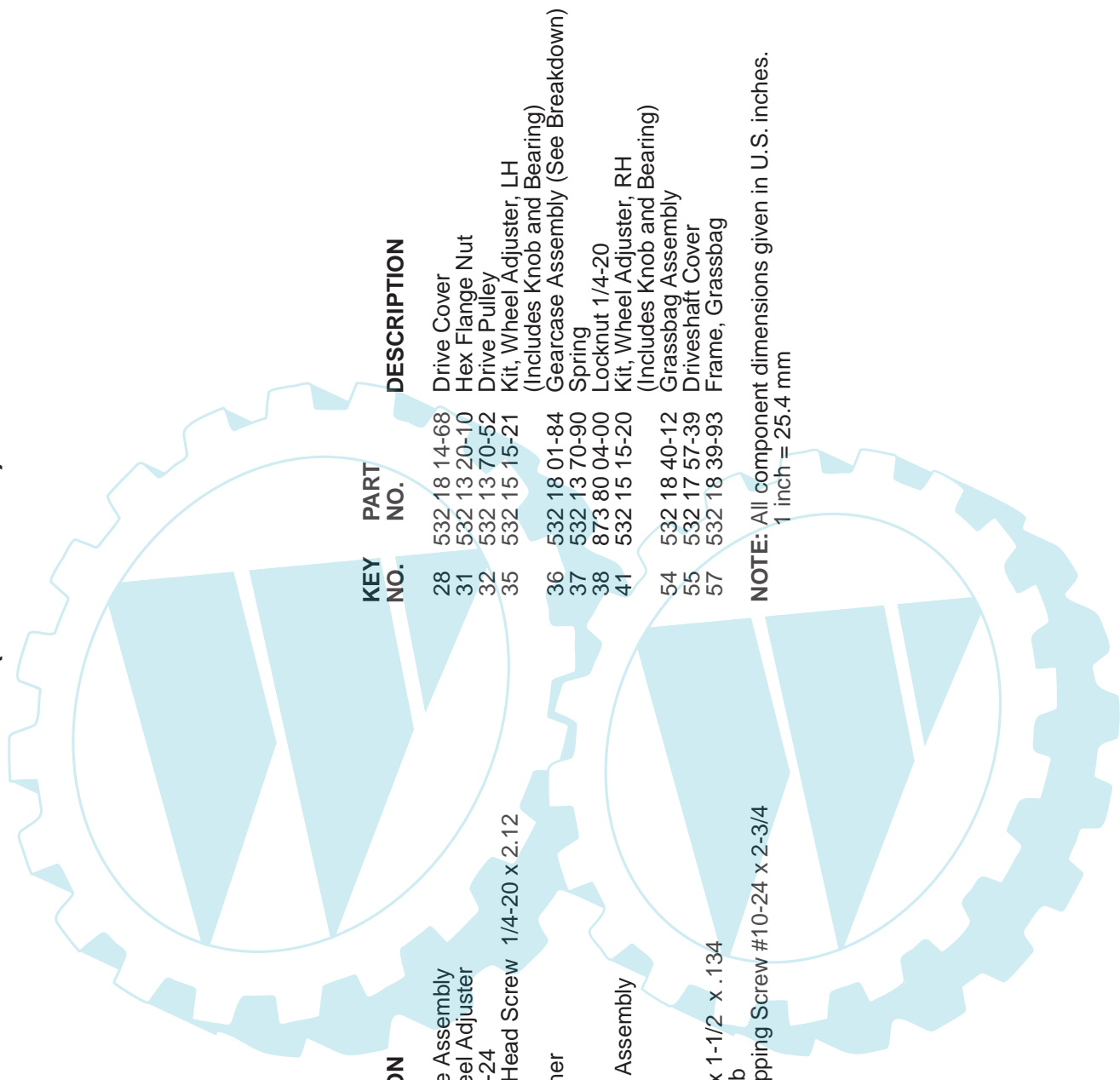
**ROTARY LAWN MOWER - - MODEL NUMBER 5053SD2 (P5053HW2A) PRODUCT NUMBER 964 79 22-00**

KEY NO.	PART NO.	DESCRIPTION	KEY NO.	PART NO.	DESCRIPTION
1	532 17 80-67	Upper Handle	28	532 16 08-28	Shoulder Bolt 5/16-18 x .33
2	532 15 36-05	Lower Handle	29	532 05 71-43	Wave Washer
3	532 17 02-87	Control Bar	30	532 18 25-41	Axle Arm Assembly, RR
4	532 13 31-07	Engine Zone Control Cable	31	532 17 54-78	Selector Knob
5	532 13 19-59	Handle Bolt	32	532 18 25-37	Selector Spring
6	532 17 01-46	Handle Knob	33	873 80 05-00	Nut 5/16-18
7	532 05 17-93	Hairpin Cotter	34	532 18 25-42	Axle Arm Assembly, LR
8	532 06 64-26	Wire Tie	35	532 18 06-24	Hubcap
9	532 18 04-79	Rear Door Kit (Includes Key #16 and 17)	36	532 18 41-93	Bolt
10	532 12 84-15	Pop Rivet	37	532 15 00-78	Thread Cutting Screw w/Sems 5/16-18 x 3/4
11	532 18 25-38	Support Bracket, LH	38	819 11 22-06	Washer
12	532 18 25-39	Support Bracket, RH	39	532 11 11-90	Clamp, Cable
13	817 06 04-10	Screw 14-20 x 5/8	40	532 08 38-16	Screw
14	532 18 25-43	Handle Bracket Assembly (Left)	43	532 17 50-83	Bottom Belt Cover
15	532 18 25-45	Handle Bracket Assembly (Right)	44	532 18 69-86	Lawn Mower Housing (Includes Key Numbers 10, 11, 12 and 45)
16	532 18 00-71	Spring LH	45	532 18 21-66	Danger Decal
17	532 18 00-72	Spring RH	46	532 18 00-69	Blade Adapter
18	532 13 20-04	Keys Locknut 1/4-20	47	532 17 50-52	Blade 21"
19	532 17 95-85	Rope Guide	48	532 85 10-74	Hardened Washer
20	532 17 92-05	Foot Guard, C.E.	49	532 85 02-63	Helical Washer 3/8-24 x 1-3/8 Grade 8
21	532 05 45-83	Screw, Tapping 1/4-20 x 1/2	50	532 85 10-84	Hex Head Machine Screw 3/8-24 x 1-3/8 Grade 8
22	532 08 45-96	Engine Pulley	89	532 17 02-94	Throttle Control
23	532 08 76-77	Hi-Pro Key #505	90	532 14 49-29	Screw
24	- - -	Engine, Briggs & Stratton, Model No. 12H802 (order parts from engine manufacturer)	- -	532 18 76-04	Operator's Manual, European
25	532 15 04-06	Hex Head Thread Rolling Srew 3/8-16 x 1-1/8	- -	532 18 76-05	Operator's Manual, Scandinavian
26	532 08 39-23	Hex Flange Nut			
27	532 18 17-85	Wheel			

**NOTE:** All component dimensions given in U.S. inches.  
1 inch = 25.4 mm



ROTARY LAWN MOWER - - MODEL NUMBER 5053SD2 (P5053HW2A) PRODUCT NUMBER 964 79 22-00



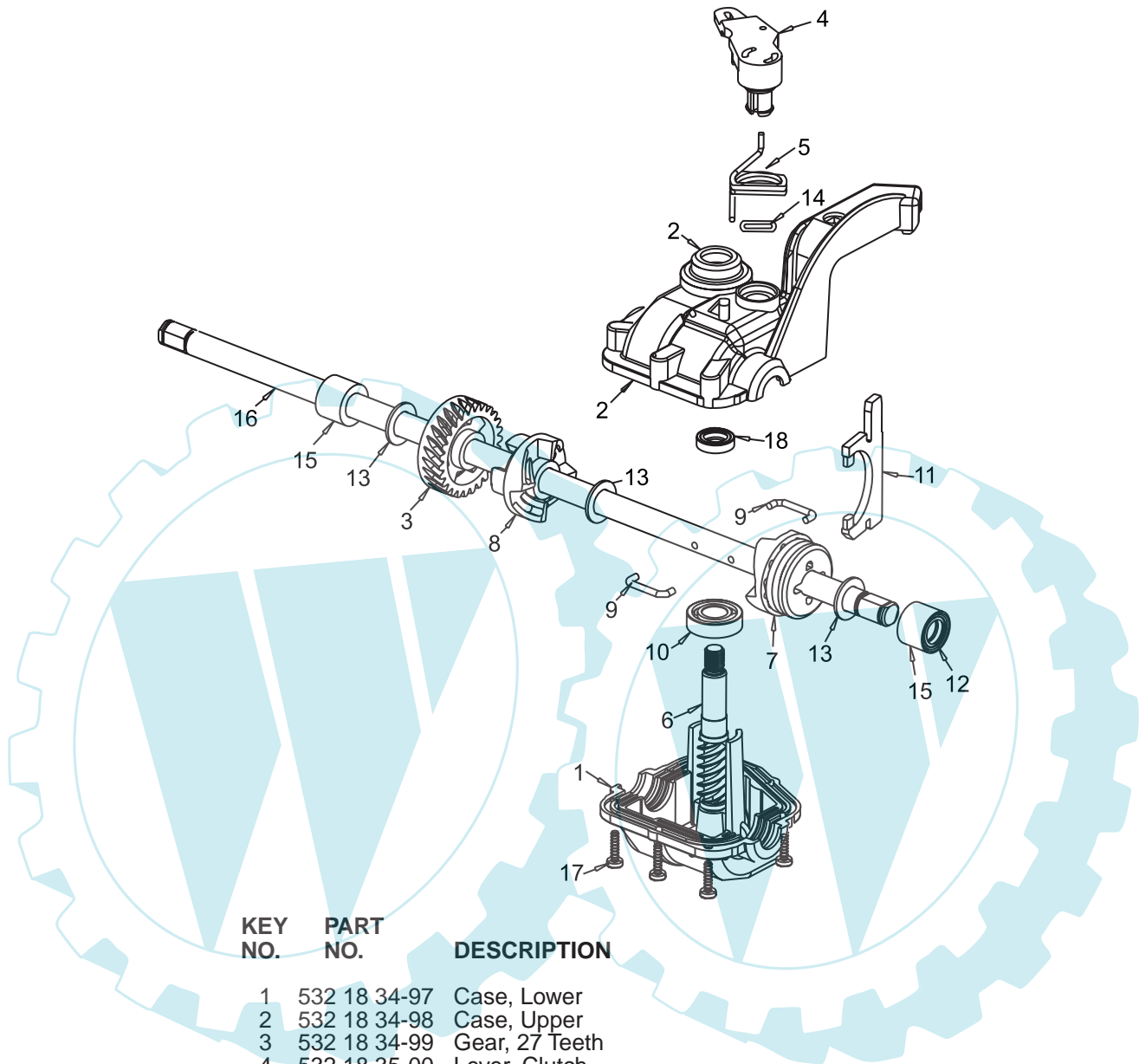
KEY NO.	PART NO.	DESCRIPTION	KEY NO.	PART NO.	DESCRIPTION
1	532 18 45-87	Control Cable Assembly	28	532 18 14-68	Drive Cover
2	532 16 73-87	Bearing, Wheel Adjuster	31	532 13 20-10	Hex Flange Nut
3	532 75 11-52	Locknut #10-24	32	532 13 70-52	Drive Pulley
4	532 15 87-55	Hex Washer Head Screw 1/4-20 x 2.12	35	532 15 15-21	Kit, Wheel Adjuster, LH (Includes Knob and Bearing)
5	532 17 54-36	V-Belt	36	532 18 01-84	Gearcase Assembly (See Breakdown)
6	532 15 04-95	Spring Retainer	37	532 13 70-90	Spring
8	532 16 43-78	Hubcap	38	873 80 04-00	Locknut 1/4-20
9	532 14 52-12	Locknut	41	532 15 15-20	Kit, Wheel Adjuster, RH (Includes Knob and Bearing)
11	532 18 07-67	Wheel & Tire Assembly	54	532 18 40-12	Grassbag Assembly
12	812 00 00-58	E-Ring	55	532 17 57-39	Driveshaft Cover
13	532 13 70-54	Pinion	57	532 18 39-93	Frame, Grassbag
14	532 18 05-04	Dust Cover			
16	532 06 77-25	Washer 1/2 x 1-1/2 x .134			
18	532 17 01-43	Selector Knob			
26	532 17 52-62	Pan Head Tapping Screw #10-24 x 2-3/4			

**NOTE:** All component dimensions given in U.S. inches.  
1 inch = 25.4 mm

ROTARY LAWN MOWER - - MODEL NUMBER 5053SD2 (P5053HW2A)

PRODUCT NUMBER 964 79 22-00

GEARCASE ASSEMBLY - PART NUMBER 532 18 01-84



KEY NO.	PART NO.	DESCRIPTION
---------	----------	-------------

1	532 18 34-97	Case, Lower
2	532 18 34-98	Case, Upper
3	532 18 34-99	Gear, 27 Teeth
4	532 18 35-00	Lever, Clutch
5	532 18 35-01	Spring, Return
6	532 18 35-02	Shaft, Input
7	532 18 35-03	Dog, Movable
8	532 18 35-04	Dog, Fixed
9	532 18 35-05	Wire, Formed
10	532 18 35-06	Bearing, Ball
11	532 18 35-07	Fork, Shift
12	532 18 35-08	Seal, Output Shaft
13	532 18 35-09	Washer
14	532 18 35-10	Seal, Case
15	532 18 35-11	Bushing
16	532 18 35-12	Shaft, Output
17	532 18 35-13	Screw
18	532 18 35-14	Seal, Input Shaft
--	532 18 34-04	Kit, Gearcase Replacement

**NOTE:** Use Dow Corning #709 to reseal Gear Case Halves.

**NOTE:** All component dimensions given in U.S. inches.  
1 inch = 25.4 mm